

# MAC 10<sup>®</sup> LE-AC

FAMILY OF FAN FILTER UNITS

USED IN:  
-----  
MICROELECTRONICS  
-----  
MEDICAL DEVICE  
-----  
SEMICONDUCTOR  
-----  
DISK DRIVE  
-----  
LABORATORY  
-----  
PHARMACEUTICAL  
MARKETS  
-----  
HOSPITALS  
-----  
CLEAN ROOMS



 **ENVIRCO<sup>®</sup>**  
*Innovators in clean air technology*

## ■ MAC 10<sup>®</sup> LE-AC Introduction

### Extra low watts, sound, and profile.

The Enviroco<sup>®</sup> LE-AC fan filter unit, is the first (FFU) with low watts, low profile and high airflow. The MAC 10<sup>®</sup> LE-AC 2x4 ft (600x1210 mm) provides one of the lowest levels of any FFU in the industry. Running at only 185 watts @ 90 fpm, the unit uses less energy than traditional FFUs, lowering operating costs. The MAC 10<sup>®</sup> LE-AC maintains a low profile, measuring less than 13" (330 mm). The MAC 10<sup>®</sup> LE-AC comes standard with the filter integral with the unit housing, requiring the unit to be removed from the ceiling grid to replace the filter.



## ■ Features

- » Low watts, low profile, and low operating costs.
- » Three speed switch features low, medium, and high settings; standard on all 2x4 ft (600 x 1,210 mm) units.
- » Backward-inclined centrifugal-type fan. (*Not available with SSSC.*)
- » High efficiency particulate air (HEPA) UL 900 Filter: 99.99% efficient @ 0.3 micron.
- » Snap-in 20x20 prefilter allows for easy replacement and maintenance.
- » Walkable plenum (excluding prefilter), rated to 250 lbs.
- » Mill finished aluminum exterior.
- » Tested to IEST recommended RPC standards.
- » UL listed (120V, 240V, 277V) with standard UL 900 filter.

## ■ Options

- » Ultra-low Penetration Air (ULPA) Filter: 99.9995% efficient @ 0.12 micron (U15).
- » PTFE boron-free ULPA filter.
- » Airflow Indicator Light: Allows external monitoring of motor operation. Red indicator is ON during normal operation.
- » Duct Collar 10" (254 mm) , 12" (305 mm) and 14" (355.6 mm): Allows direct connection to the air conditioning supply
- » Fluorescent Light: Provides illumination with minimal airflow disruption.
- » Ion Bar: Neutralizes static charges below the filter. (Universal voltage power supply required.)
- » Finish: Powder coat painted or Stainless Steel.
- » MERV 8 G4 pre-filter available.
- » Room-Side Replacement (RSR) available with gel seal filter element; filter is replacement from the roomside (2x4).
- » RSRE provides filter and motor/blower assembly replacement from the roomside (2x4).

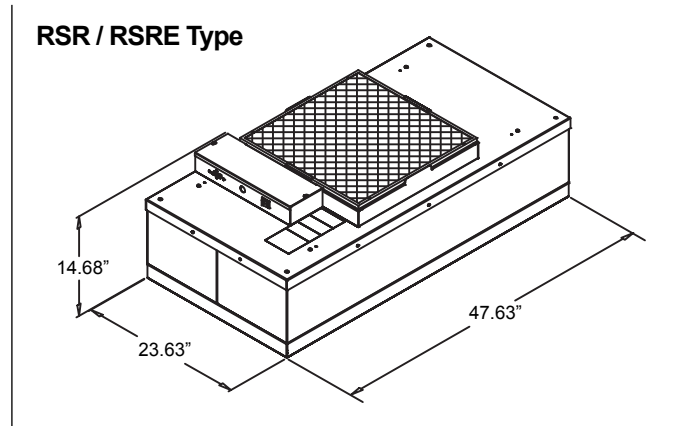
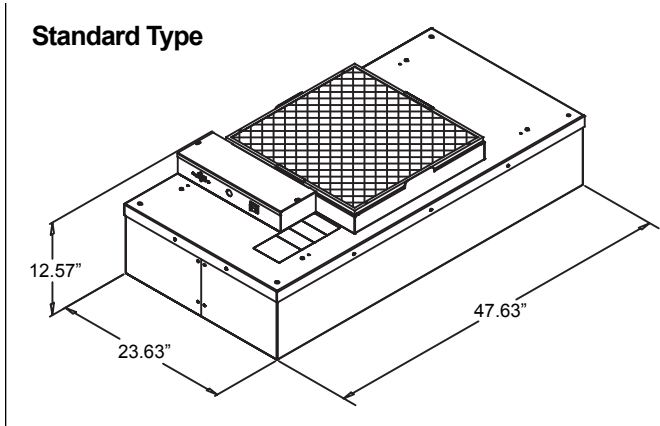
## ■ Applications

- » Semiconductor Fabrication
- » Disc Drive Manufacturing
- » Biotechnology
- » Aerospace
- » Pharmaceutical Production
- » Food Processing
- » USP 797
- » Lithium Battery Plants
- » Solar Plants
- » Medical Device
- » Nano Technology

## ■ Warranty

- » Limited 18-month warranty.

## ■ Dimensions



## ■ Performance MAC 10<sup>®</sup> LE-AC

Nominal Unit Size	Active Filter Face Area (Sq. Ft.)	Max CFM	Watts @ Max CFM	CFM @ 90 FPM	Watts @ 90 FPM	Unit Weight
2x4 Standard	7.2	890	238	650	185	66
2x4 RSR	5.3	880	240	470	185	76

**Notes:**

All airflow is tested in accordance with the (ANSI/AMCA 210-07), (ANSI/ASHRAE 51-07) test standards for Certified Aerodynamic Performance Rating.

Max CFM rating base on free air volumes at high speed motor setting.

90 fpm values base on active filter face area.

Heat Gain: BTU = watts x 3.413.

**MAC 10<sup>®</sup> LE-AC:**

MAC 10<sup>®</sup> LE-AC 2x4 is available.

1/5 HP 115V 50/60 1 Phase 2.26 F.L.A.

1/5 HP 208-240V 50/60HZ 1 Phase 1.40 F.L.A.

1/5 HP 277V 60 HZ 1 Phase 1.17 F.L.A.



# Clean air solutions built for you.

MORE INFORMATION AVAILABLE AT [WWW.ENVIRCO.COM](http://WWW.ENVIRCO.COM)

## ■ Industrial

### Cleanroom Products

- » MAC 10® Original
- » MAC 10® IQ™
- » MAC 10® AC LE
- » MAC 10® DC LE
- » Ducted Ceiling Module:  
DCM & RSR
- » AC or DC Control Systems

## ■ Hospital & Healthcare

### Hospital & Healthcare

- » IsoClean® and IsoClean  
with Ultraviolet Light
  - » AirCeil®
  - » Hospi-Gard® Room  
Pressure Monitor
- ### Enviramedic Products
- » HOR Horizontal Flow  
Enclosure
  - » HCF Horizontal Flow  
Surgery Room
  - » VOR Vertical Flow Surgery  
Isolator

## ■ Pharmaceutical

### Pharmaceutical & Medical Device

- » MAC 10® and  
MAC 10® IQ Rx™
- » Unimodule M-2 Vertical  
Unidirectional Flow  
Workstation
- » METD 100% Exhausted  
Vertical Flow Workstation
- » Unidirectional Downflow  
Module

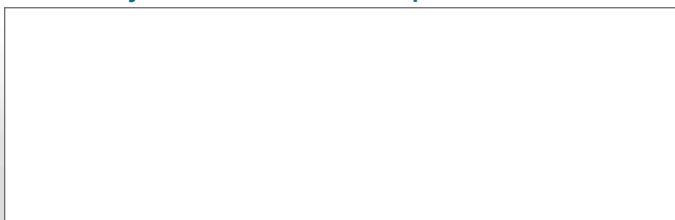
## ■ Laboratory & Research

### Laboratory & Research

- » 100-Plus Horizontal or  
Vertical Flow Clean Bench
- » Unidirectional Flow  
Horizontal Flow Bench (LF)
- » TT Table Top Horizontal  
Flow Clean Bench
- » EnviraLab Sterility Module:  
ESM
- » NSF 49 Listed Biological  
Safety Cabinet

Envirco® MAC 10® and VE5 are registered trademarks of Envirco®, USA. Specifications subject to modifications or changes without notice. US patents 4,560,395 and 5,470,363. Other patents issued and pending in foreign countries. Special thanks to Connect2Cleanrooms for cleanroom photography.

## Provided by Your Local Envirco® Representative:



### Envirco® USA

101 McNeill Road | Sanford, NC 27330, USA  
tel: 919.775.2201 | toll free: 800.884.0002 | fax: 800.458.2379  
[www.envirco.com](http://www.envirco.com) | email: [info@envirco.com](mailto:info@envirco.com)

### Envirco® European Sales

The Cavendish Centre, Winnall Close | Winchester, Hampshire; S023 0LB, UK  
tel: +44(0)1962.840465 | fax: +44(0)1962.828619  
[www.trion.co.uk](http://www.trion.co.uk) | email: [TrionEMEAService@airsysco.com](mailto:TrionEMEAService@airsysco.com)

### Envirco® Asian Sales and Manufacturing

Building #1, 200 Middle Suhong Road | Suzhou, Jiangsu PRC 215021  
tel: +86.512.62587180 | fax: +86.512.62580031  
[www.envirco.com](http://www.envirco.com) | email: [info@envirco.com](mailto:info@envirco.com)



MAC10-LEAC/1210 | Copyright ©2010 Envirco®. All Rights Reserved.